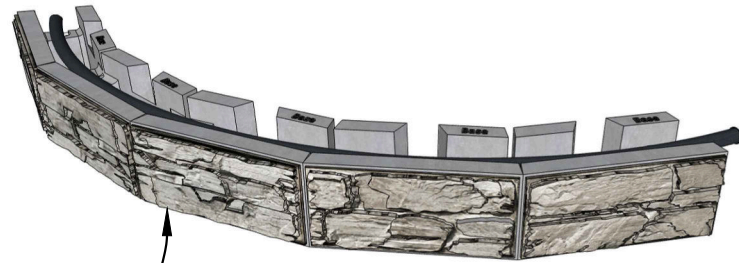
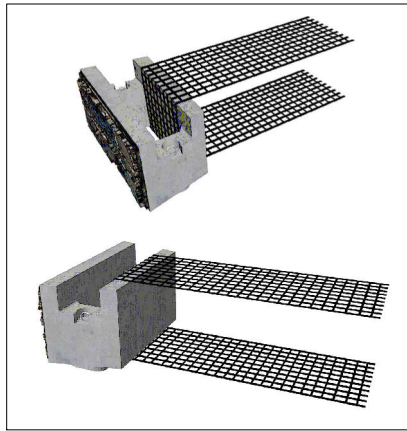


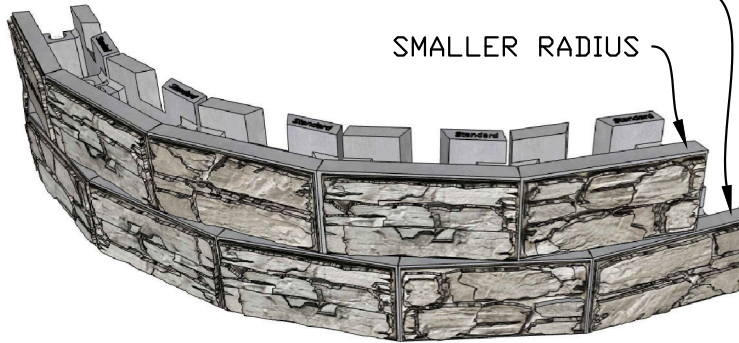
# MagnumStone

## >>> POSITIVE CONNECTION OUTSIDE CURVE



MAGNUMSTONE

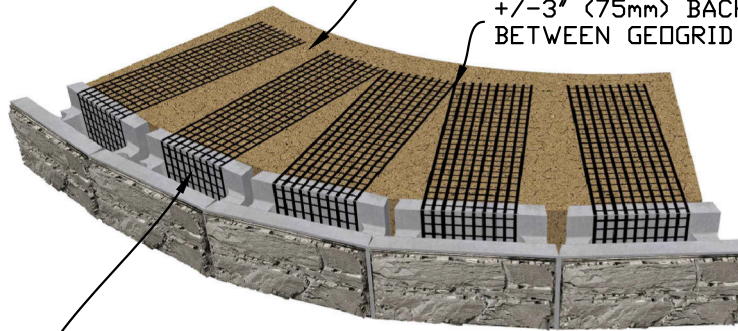
LARGER RADIUS



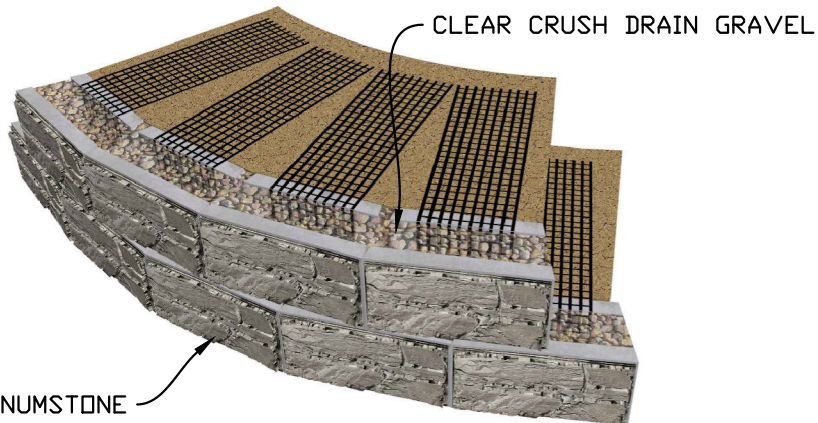
SMALLER RADIUS

APPROVED BACKFILL MATERIAL  
COMPACTED 6-8" (150-200mm) LIFTS

+/-3" (75mm) BACKFILL MATERIALS  
BETWEEN GEOGRID OVERLAPS



GEOGRID WRAPS INSIDE OF HOLLOW  
CORE BEFORE IT IS FILLED



MAGNUMSTONE