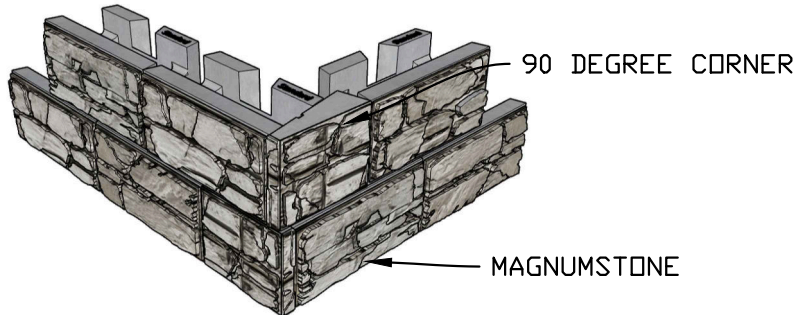
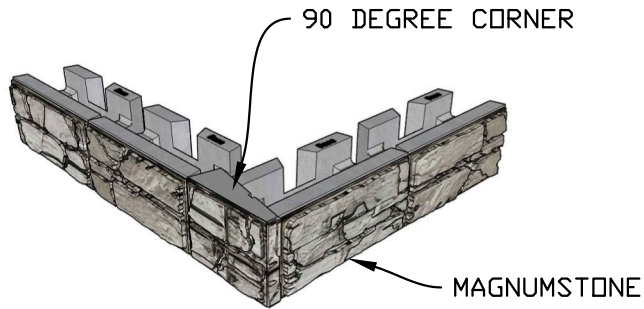
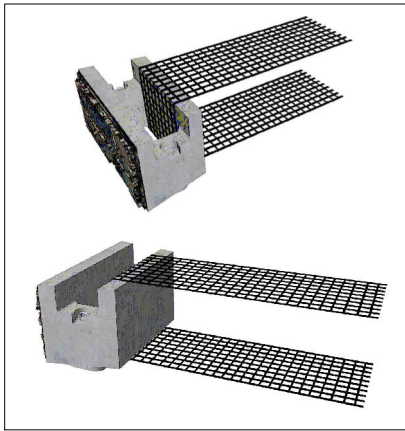


MagnumStone

>>> POSITIVE CONNECTION OUTSIDE CORNER



APPROVED BACKFILL MATERIALS
COMPACTED 6-8" (150-200mm) LIFTS
+/-3" (75mm) BACKFILL MATERIALS
BETWEEN GEOGRID OVERLAPS

