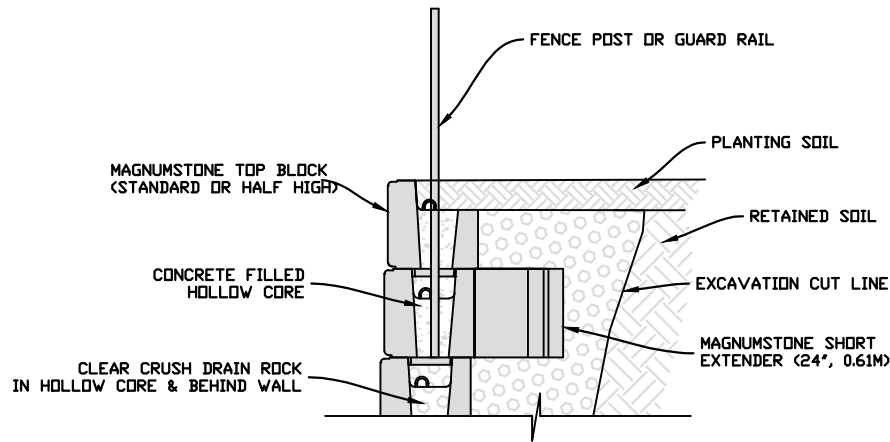
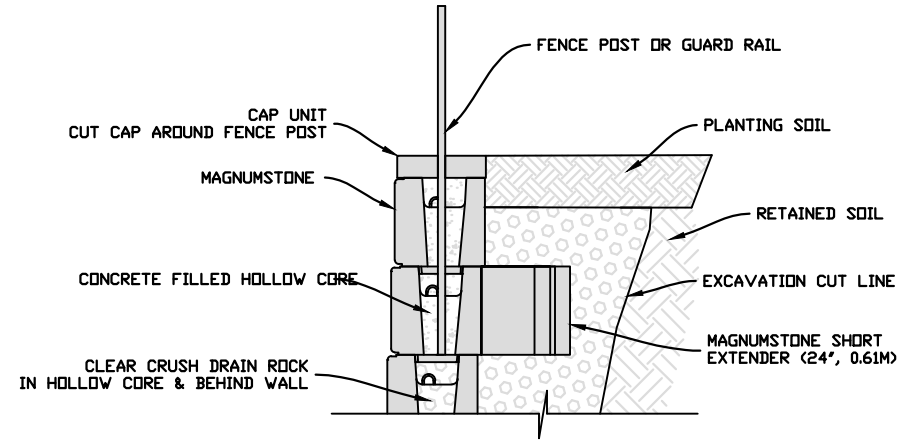


MagnumStone

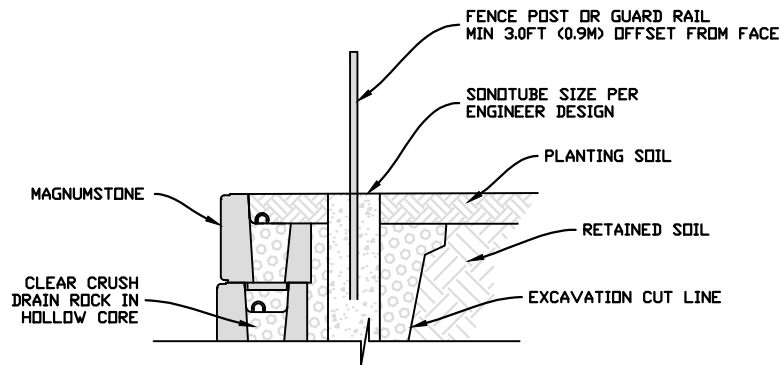
>>>RAILING IN AND BEHIND WALL



RAILING THROUGH HOLLOW CORE



RAILING THROUGH HOLLOW CORE W /CAP



RAILING BEHIND WALL