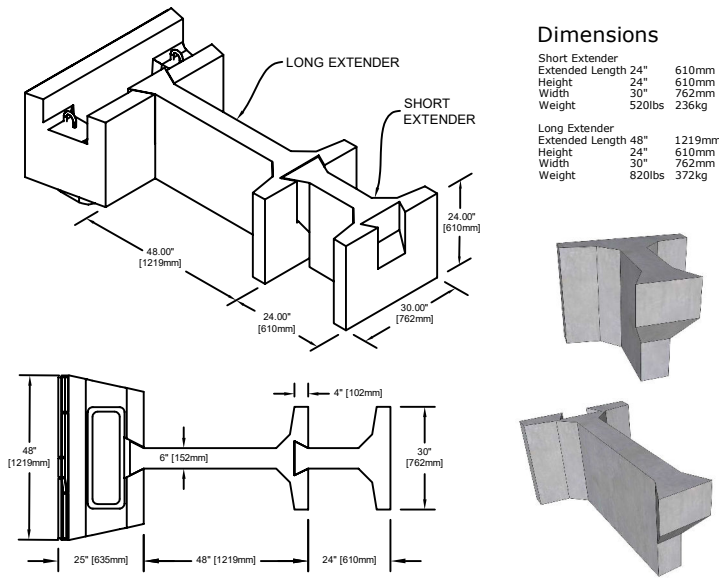


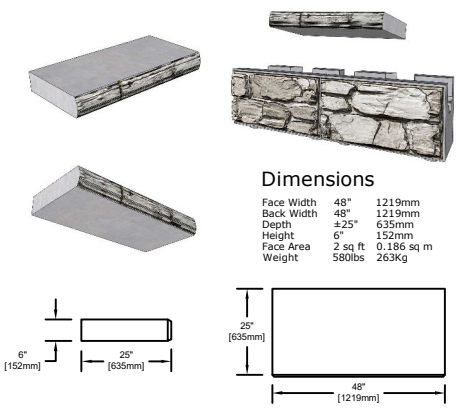
Dimensions
 Face Width 48" 1219mm
 Back Width 39" 991mm
 Depth ±25" 635mm
 Height 24" 610mm
 Face Area 8 sq ft 0.74 sq m
 Weight 1345lbs 610kg
 Setback 4.5 / 2.4 / 0 deg

STANDARD UNIT



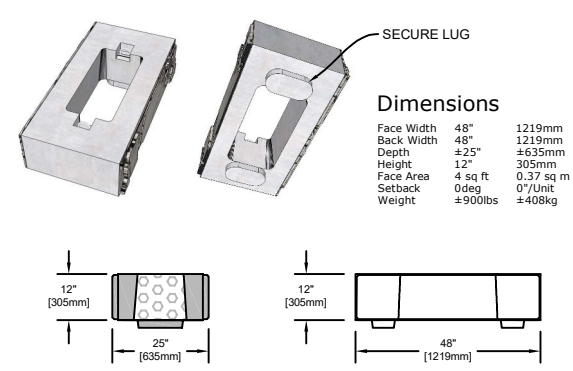
Dimensions
 Short Extender
 Extended Length 24" 610mm
 Height 24" 610mm
 Width 30" 762mm
 Weight 520lbs 236kg
 Long Extender
 Extended Length 48" 1219mm
 Height 24" 610mm
 Width 30" 762mm
 Weight 820lbs 372kg

EXTENDER UNITS



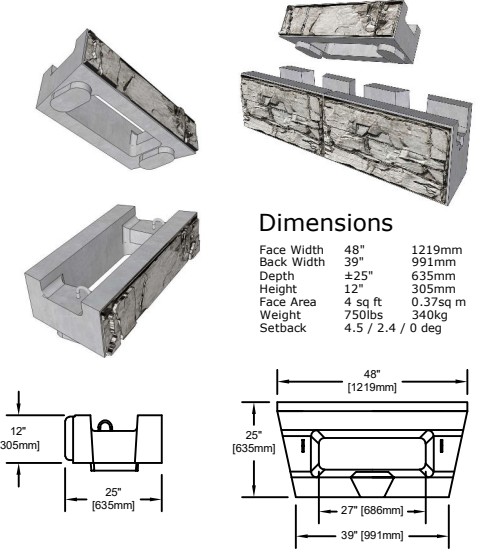
Dimensions
 Face Width 48" 1219mm
 Back Width 48" 1219mm
 Depth ±25" 635mm
 Height 6" 152mm
 Face Area 2 sq ft 0.186 sq m
 Weight 580lbs 263kg

CAP UNIT



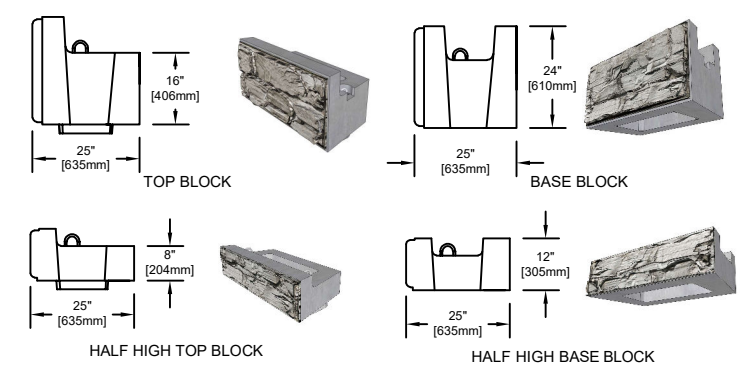
Dimensions
 Face Width 48" 1219mm
 Back Width 48" 1219mm
 Depth ±25" 635mm
 Height 12" 305mm
 Face Area 4 sq ft 0.37 sq m
 Setback 0deg 0°/Unit
 Weight ±900lbs ±408kg

DOUBLE SIDED FREESTANDING UNIT

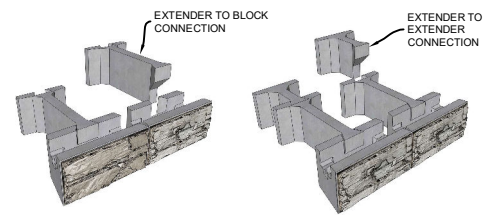


Dimensions
 Face Width 48" 1219mm
 Back Width 39" 991mm
 Depth ±25" 635mm
 Height 12" 305mm
 Face Area 4 sq ft 0.37sq m
 Weight 750lbs 340kg
 Setback 4.5 / 2.4 / 0 deg

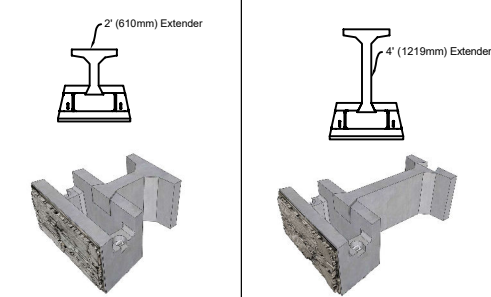
HALF HIGH UNIT



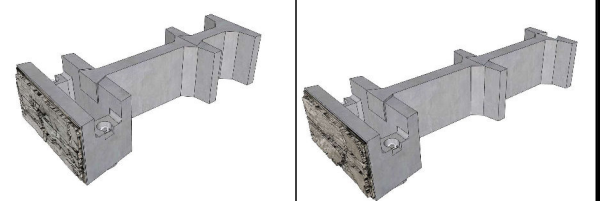
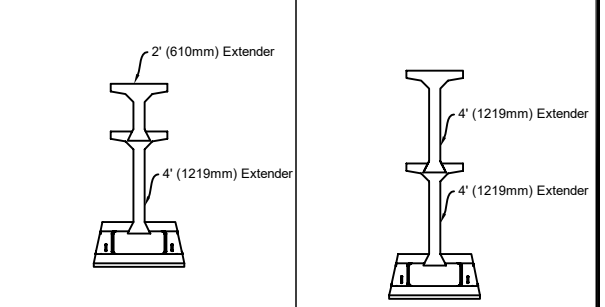
TOP BLOCKS AND BASE BLOCKS



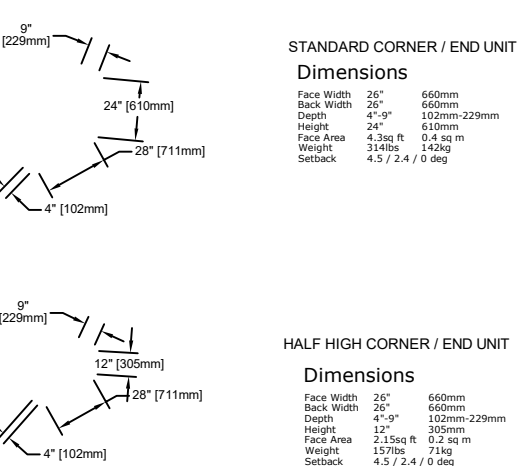
EXTENDER INSTALLATION



48" (1219MM) 72" (1829MM)



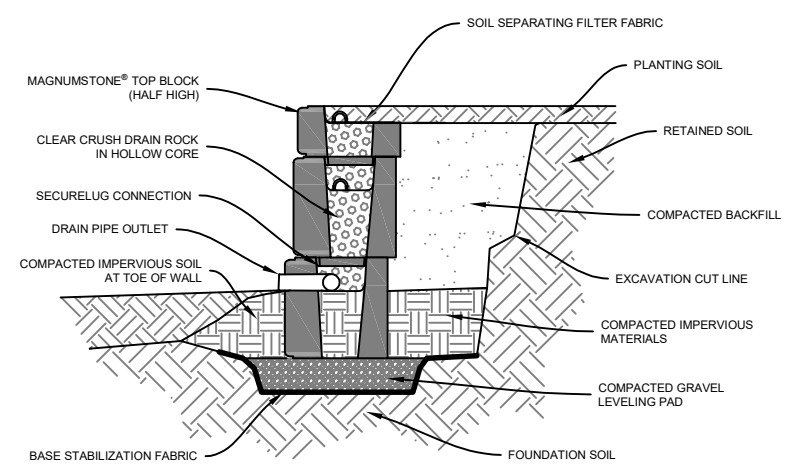
96" (2438MM) 120" (3048MM)



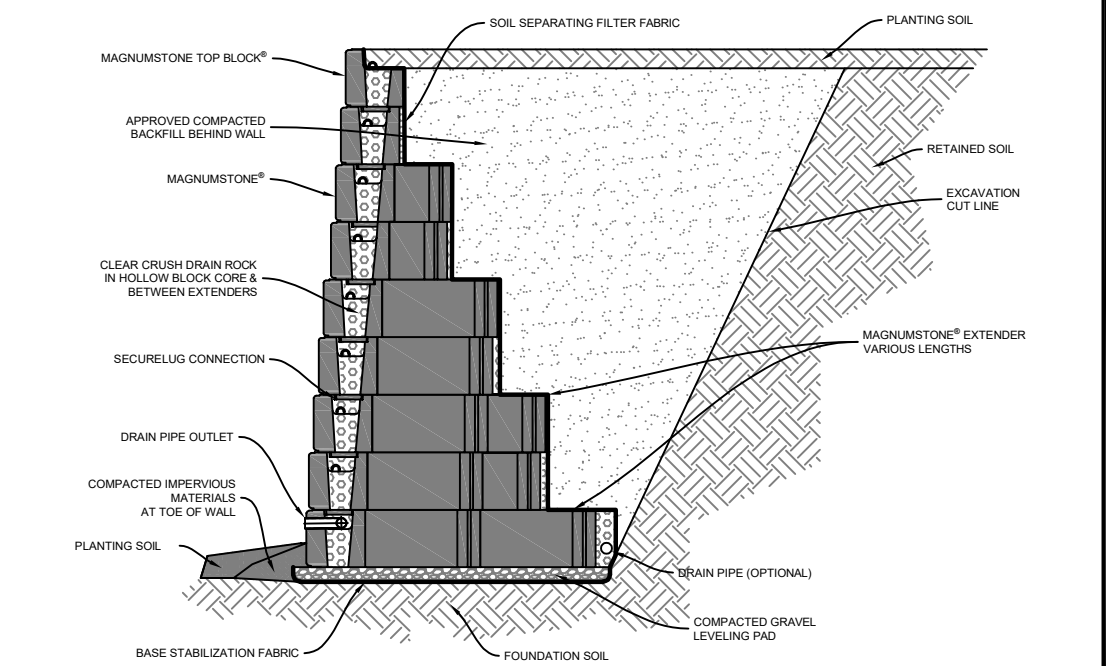
STANDARD CORNER / END UNIT
Dimensions
 Face Width 26" 660mm
 Back Width 26" 660mm
 Depth 4"-9" 102mm-229mm
 Height 24" 610mm
 Face Area 4.3sq ft 0.4 sq m
 Weight 314lbs 142kg
 Setback 4.5 / 2.4 / 0 deg

HALF HIGH CORNER / END UNIT
Dimensions
 Face Width 26" 660mm
 Back Width 26" 660mm
 Depth 4"-9" 102mm-229mm
 Height 12" 305mm
 Face Area 2.15sq ft 0.2 sq m
 Weight 157lbs 71kg
 Setback 4.5 / 2.4 / 0 deg

CORNER/END UNIT



GRAVITY WALL



GRAVITY WALL WITH EXTENDERS

General Notes

No.	Revision/Issue	Date

MagnumStone®
RETAINING WALLS

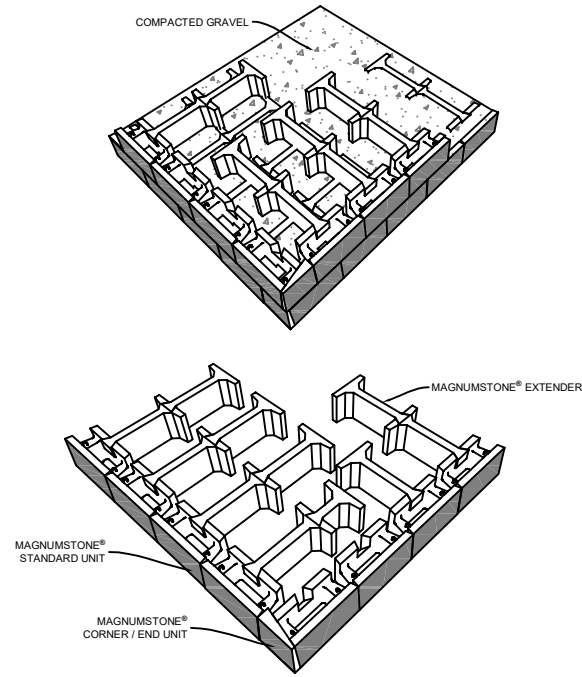
Project Name and Address

Project _____ Sheet _____

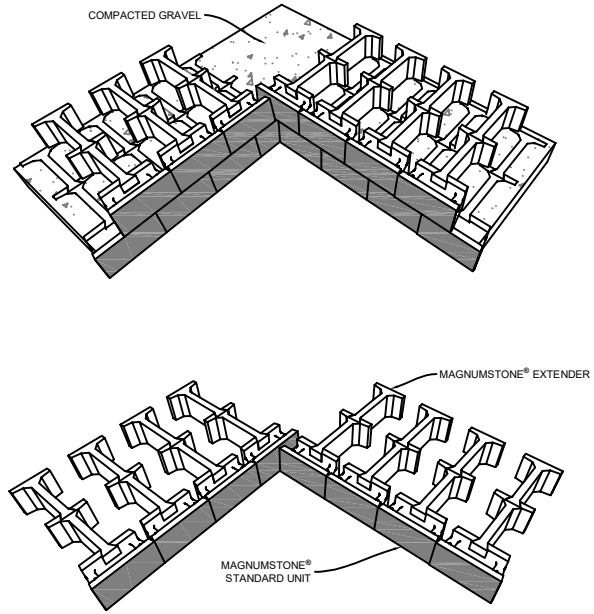
Date _____

Scale _____

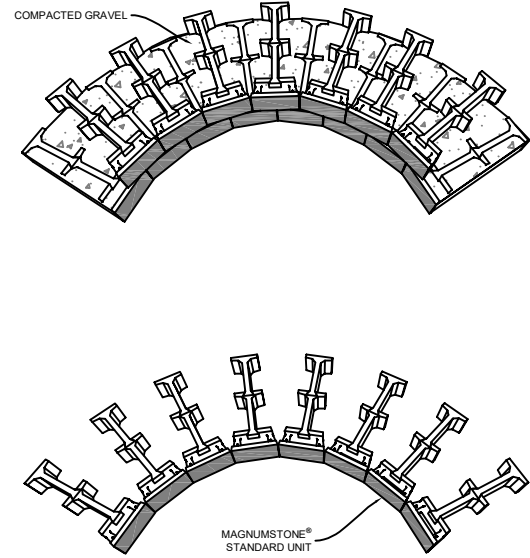
FNAME REVDATE USER



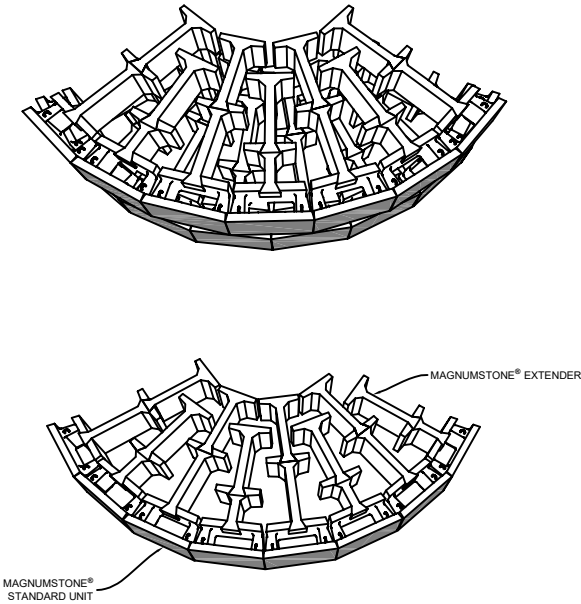
OUTSIDE CORNER



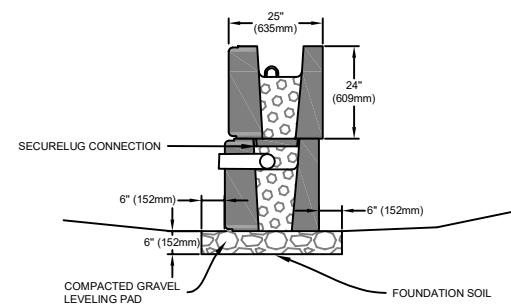
INSIDE CORNER



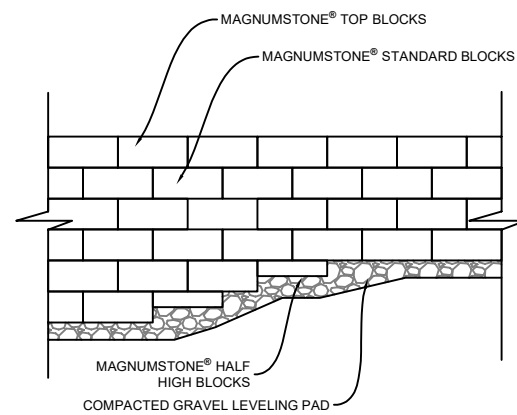
INSIDE CURVE



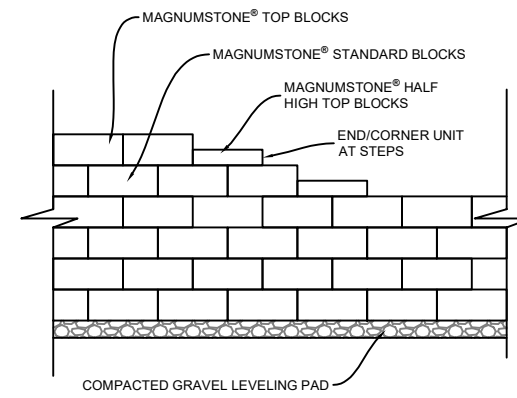
OUTSIDE CURVE



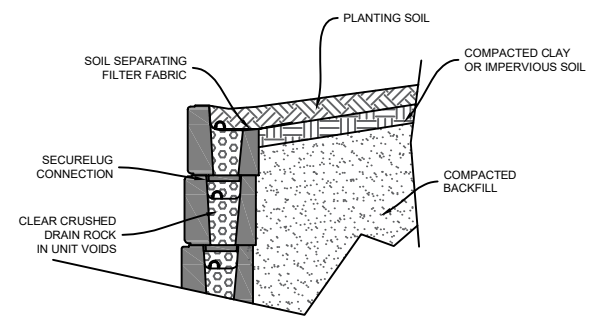
LEVELING PAD



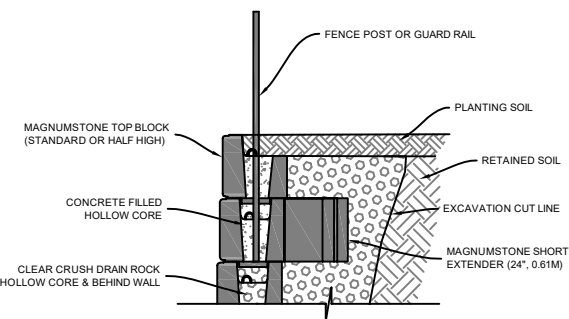
BASE STEP UP



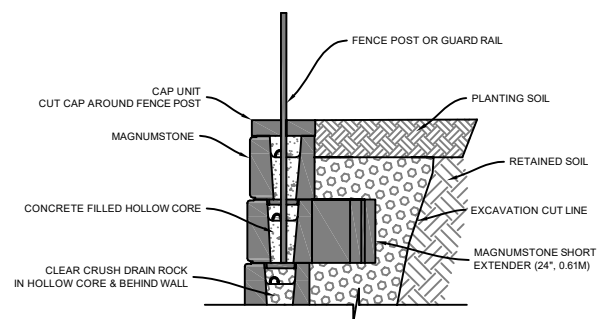
TOP OF WALL STEP UP



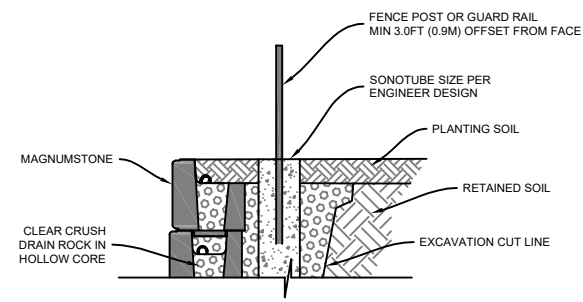
CLAY / IMPERVIOUS SWALE



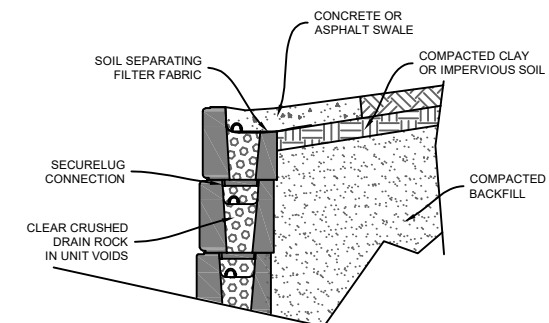
RAILING THROUGH HOLLOW CORE



RAILING THROUGH HOLLOW CORE W /CAP



RAILING BEHIND WALL



CONCRETE / ASPHALT SWALE

General Notes

No.	Revision/Issue	Date



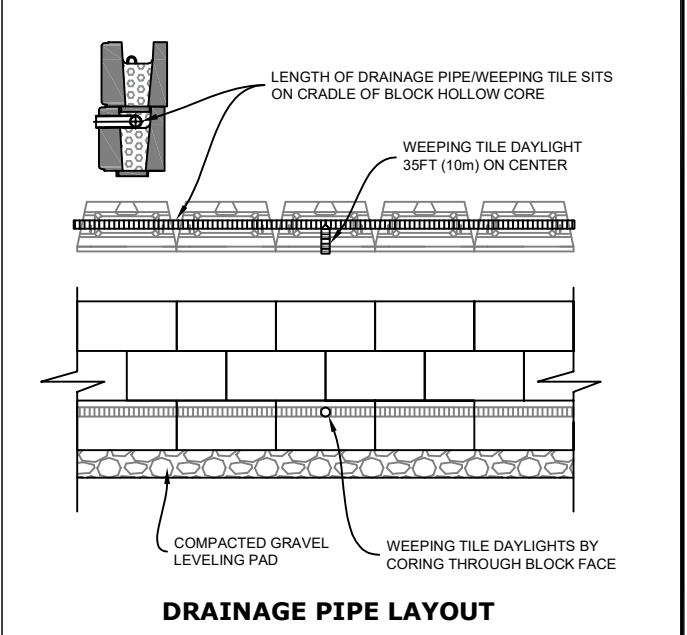
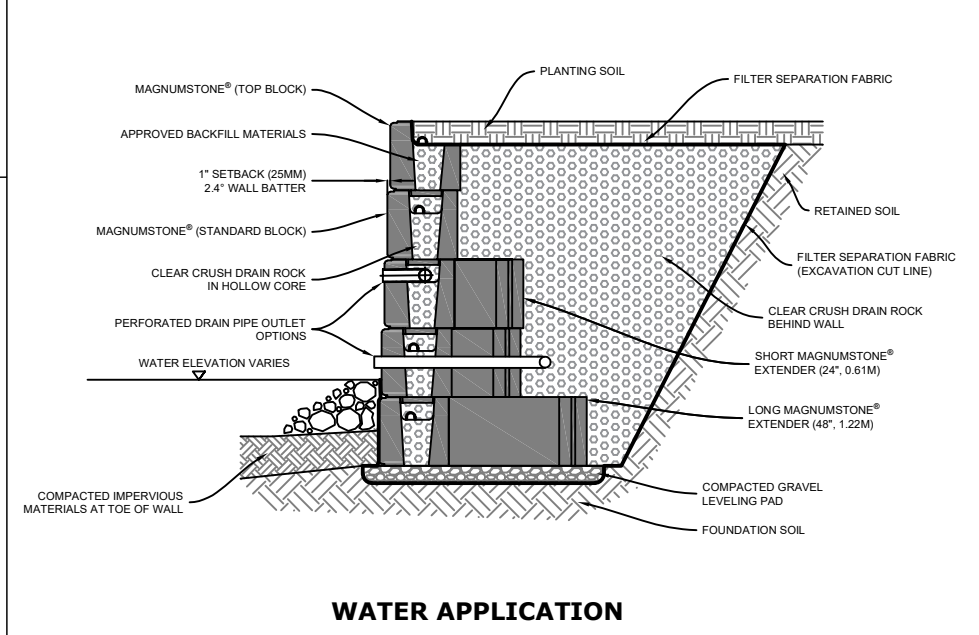
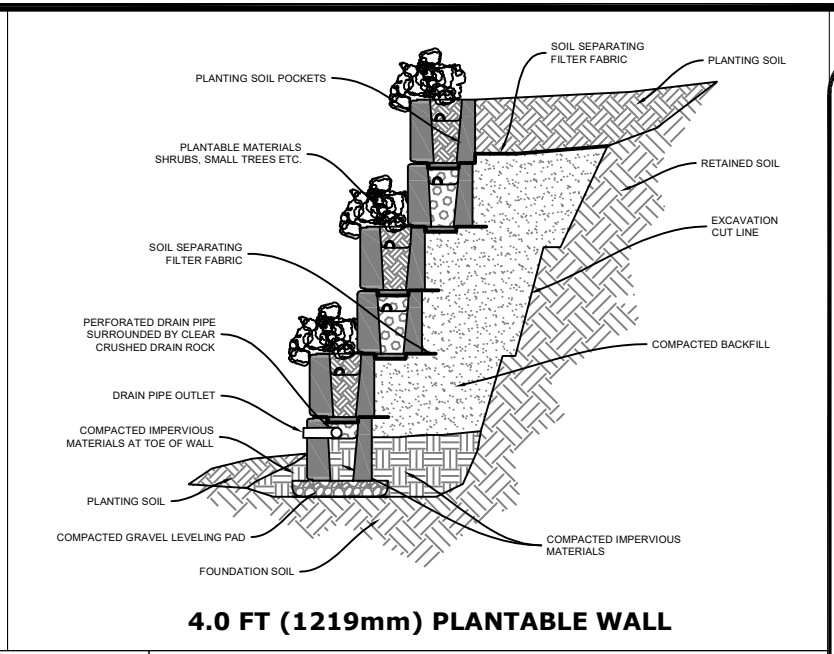
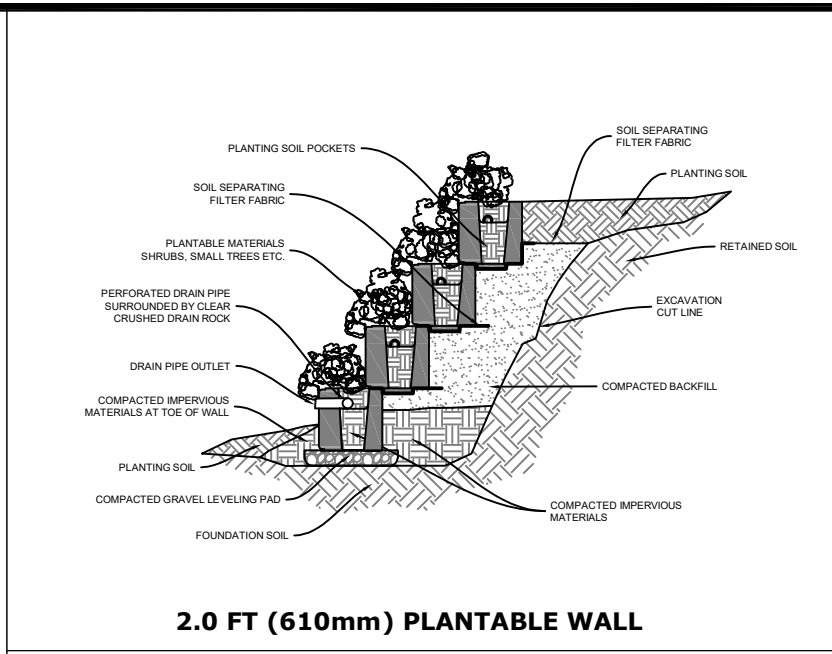
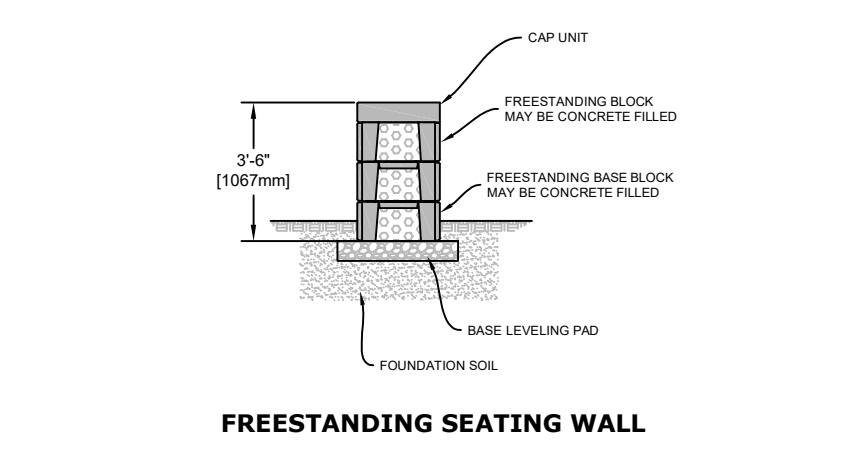
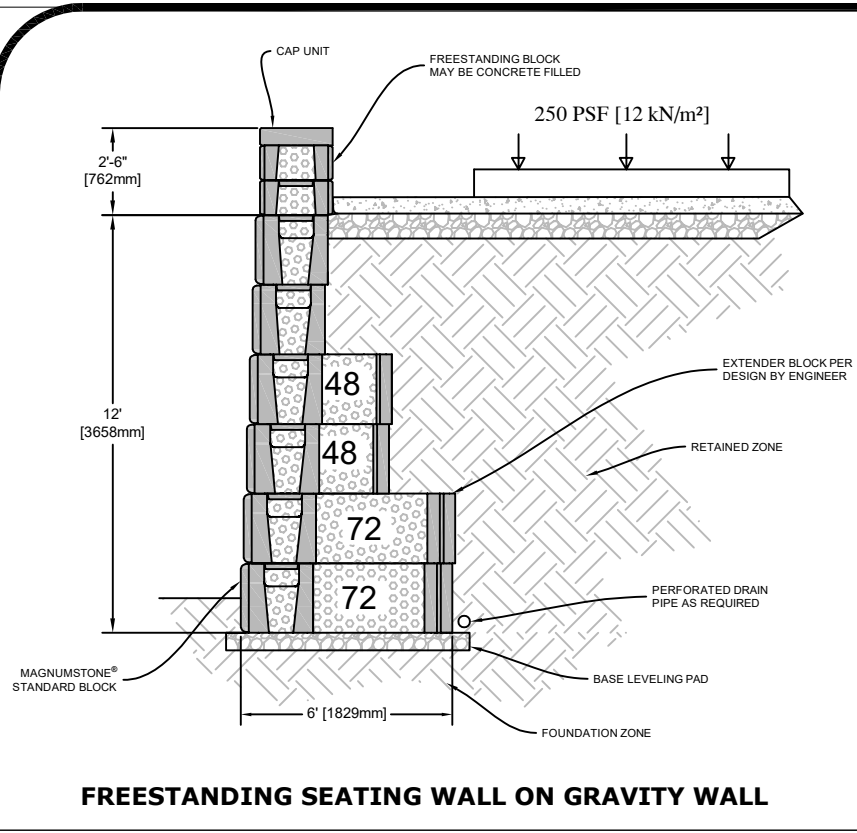
Project Name and Address

Project	Sheet
Date	
Scale	

FNAME

REVDATE

USER



General Notes

No.	Revision/Issue	Date

MagnumStone
RETAINING WALLS

Project Name and Address

Project _____ Sheet _____

Date _____

Scale _____

FNAME
REVDATE
USER